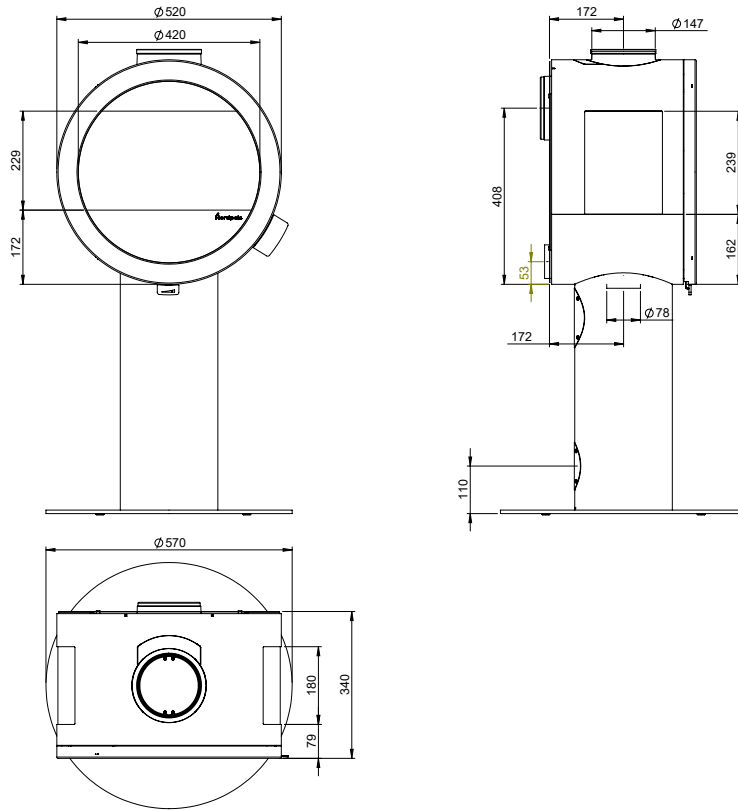


Me Pedestal with sideglass = mm / air / chimney



Me Pedestal w/o sideglass = mm / air / chimney

